

ref. 015500

### VYR-155

#### General properties:

- Agricultural impact sprinkler with medium-high flow.
- 1 1/4" male connection.
- Made of brass and stainless steel.
- High-resistance rotating joints.
- Nozzles angles of 28°, 28° and 13°.
- Special design for long reach.
- Used in full coverage irrigation with medium-high flow.
- Mechanical system for adjusting the spring tension to vary the rotation speed depending on the pressure used.
- Incredible Uniformity Coefficient results with very wide coverage areas.

#### Technical specifications:

- Range distance: 85-115 ft. (26-35 m).
- Flow: 37-99 GPM (8,500- 22,300 l/h).
- Working pressure: 58-116 PSI (4 -8 BAR).
- Area: Full circle.
- Nozzles: A main nozzle for long reach, a second nozzle for medium reach and a third nozzle for short reach.
- Trajectory angles: 28°, 28° and 13°.
- Maximum stream height: 19 ft. (5,8 m).
- Rotation time: Adjustable. Depending on the pressure and the nozzles, the rotation will be constant and continuous.
- Uniformity coefficient higher than 90% in areas of 92x92R, 92x98T, 98x98T ft.

#### Dimensions:

- Height: 11,8 in. (30 cm).
- Width: 18,9 in. (48 cm).
- Weight: 3,69 lbs. (1,672 grs).
- Units per box: 10.

#### Applications:

- Used in all types of agricultural irrigations, generally with medium-high flow for coverage of wide areas.
- Horticultural plantations, cereals, tubers, leguminous plants and fruit trees.

#### Models:

Ref. 015500 Sprinkler with 3 nozzles

	5/16" x 1/4" x 1/8" 8 x 6,3 x 3,2 mm.		11/32" x 1/4" x 1/8" 9 x 6,3 x 3,2 mm.		13/32" x 1/4" x 1/8" 10 x 6,3 x 3,2 mm.		7/16" x 1/4" x 1/8" 11 x 6,3 x 3,2 mm.		15/32" x 1/4" x 1/8" 12 x 6,3 x 3,2 mm.		1/2" x 1/4" x 1/8" 13 x 6,3 x 3,2 mm.		9/16" x 1/4" x 1/8" 14,5 x 6,3 x 3,2 mm.	
PSI	GPM	Ø Ft.	GPM	Ø Ft.	GPM	Ø Ft.	GPM	Ø Ft.	GPM	Ø Ft.	GPM	Ø Ft.	GPM	Ø Ft.
58	37,40	167	42,23	171	48,40	174	52,80	184	58,08	187	66,00	194	74,80	207
73	41,80	174	47,52	177	54,12	180	58,97	190	65,57	197	74,80	203	84,03	213
87	45,77	177	51,48	180	59,40	190	64,68	200	72,60	203	82,72	210	91,52	220
102	49,28	184	56,32	187	64,23	197	70,40	207	79,20	210	89,32	217	98,12	226



STANDARD

Ø ft. : Diameter of coverage

- Sprinklers will be supplied with standard nozzles unless otherwise specified.
- In order to calculate the flow, add the flows of the two nozzles. The range of the rear nozzle must be less than that of the main nozzle.





ref. 007010

### VYR-70 VC

#### General properties:

- Agricultural impact sprinkler with medium-high flow.
- 1" male or female connection.
- Made of brass and stainless steel.
- High-resistance rotating joints.
- Nozzle angles of 26° and 26°.
- Special design for long reach.
- Used in full coverage irrigation with medium-high flow.

#### Dimensions:

- Height: 7,9 in. (20 cm).
- Width: 8,7 in. (22 cm).
- Weight: 2,03 lbs. (920 grs).
- Units per box: 25.

#### Applications:

- Used in all types of agricultural irrigation, generally with medium-high flow. Horticultural plantations, cereals, tubers, leguminous plants and fruit trees.

#### Models:

Ref. 007010: 1" female connection

Ref. 007012: 1" male connection

Ref. 106000: Difuser pin plate.

#### Technical specifications:

- Range distance: 43-89 ft. (13,5- 27 m).
- Flow: 16-40 (3700- 9000 l/h).
- Working pressure: 40-90 PSI (2,75 - 6 BAR).
- Area: Full circle.
- Nozzles: Two nozzles: one main nozzle and a secondary nozzle.
- Trajectory angles: 26° and 26°.
- Maximum stream height: 16 ft. (5 m).
- Rotation time: Depending on the pressure and the nozzles, the rotation will be constant and continuous.

### Long range nozzles (long vane) + short range nozzle

	7/32 x 11/64" 5,55 x 4,4 mm.		1/4 x 11/64" 6,35 x 4,4 mm.		1/4 x 3/16" 6,35 x 4,8 mm.		9/32 x 3/16" 7,15 x 4,8 mm.		9/32 x 7/32" 7,15 x 5,55 mm.		11/32 x 7/32" 8,75 x 5,55 mm.	
PSI	GPM	Ø Ft.	GPM	Ø Ft.	GPM	Ø Ft.	GPM	Ø Ft.	GPM	Ø Ft.	GPM	Ø Ft.
44	16,37	128	18,10	128	19,52	128	22,82	141	23,47	141	29,35	136
51	17,55	131	19,32	138	20,88	138	24,63	144	24,95	144	31,78	142
58	18,78	138	20,97	144	22,43	144	26,27	148	26,67	148	33,95	148
65	19,55	144	21,70	151	24,02	151	28,25	151	28,52	151	35,63	156
73	20,70	151	22,83	157	25,45	157	29,30	154	30,23	154	37,75	160
80	21,93	154	24,15	161	26,53	161	30,75	161	31,68	161	39,60	172



STANDARD

Ø ft. : Diameter of coverage

(\*Sprinkler at 1 meter height)

- For optimum distribution avoid use in shady areas.
- Sprinklers will be supplied with standard nozzles unless otherwise specified.
- In order to calculate the flow, add the flows of the two nozzles. The range of the rear nozzle must be less than that of the main nozzle.





ref. 005005

ref. 005004

1/2"

### VYR-50

#### General properties:

- Riser-mounted impact sprinkler for gardening, agriculture, floriculture and greenhouses.
- 1/2" male connection.
- Made of brass and stainless steel.
- High-resistance rotating joints.
- Adjustable deflector plate.
- Irrigation area control system by adjustment of rotating clips.
- Adjustable jet breaker diffuser pin.
- This sprinkler is strong and durable enough to work for years in urban gardens in punishing conditions, such as vandalism and impact from maintenance equipment.

#### Applications:

- Public and private gardens.
- Horticultural plantations, floriculture and fruit trees.

#### Measurements:

- Width: 4,3 in. (11 cm).
- Sprinkler height: 15,1 in. (13 cm).
- Weight: 0,53 lbs. (242 grs).
- Units per box: 50.

#### Models:

**Ref. 005004:** Part (or full) circle with deflector.

**Ref. 005005:** Part (or full) circle without deflector.

#### Technical specifications:

- Range distance: 29-46 ft. (9-14 m).
- Flow: 1-6,3 GPM (240 - 1,440 l/h).
- Working pressure: 15-58 PSI (1- 4 BAR).
- Area: Full or part circle.
- Nozzles: A single-jet nozzle.
- Trajectory angles: 28°.
- Maximum stream height: 7 ft. (2,2 m).
- Rotation time: Depending on the pressure and the nozzles, the rotation will be constant and continuous.

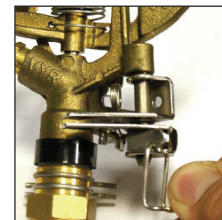
PSI	3/32" 2,4 mm.		7/64" 2,8 mm.		0,117" 3,0 mm.		1/8" 3,2 mm.		9/64" 3,5 mm.		5/32" 4 mm.		11/64" 4,4 mm.	
	GPM.	Ø Ft.	GPM.	Ø Ft.	GPM.	Ø Ft.	GPM.	Ø Ft.	GPM.	Ø Ft.	GPM.	Ø Ft.	GPM.	Ø Ft.
15	1,05	59	1,37	62	1,58	62	1,77	66	2,12	66	2,73	69	3,35	72
22	1,32	62	1,63	62	1,93	66	2,12	69	2,50	69	3,30	72	4,00	75
29	1,50	66	1,85	66	2,20	69	2,42	69	2,90	72	3,73	75	4,53	79
36	1,67	69	2,07	69	2,47	72	2,63	72	3,22	75	4,18	79	5,07	82
44	1,80	72	2,28	72	2,68	75	2,90	75	3,52	75	4,58	79	5,58	82
51	1,98	75	2,47	75	2,87	75	3,12	75	3,78	79	4,83	82	5,93	85
58	2,12	79	2,63	79	3,03	79	3,35	79	4,00	82	5,20	85	6,33	89

STANDARD

Ø ft. : Diameter of coverage

- Sprinklers will be supplied with standard nozzles unless otherwise specified.

- In order to calculate the flow, add the flows of the two nozzles. The range of the rear nozzle must be less than that of the main nozzle.



Easy part circle

Only for full circle series.



Manufactured by





ref. 008004

**Applications:**

- Public and private gardens.
- Horticultural plantations, floriculture and fruit trees.

**Measurements:**

- Width: 4,3 in. (11 cm).
- Sprinkler height: 5,1 in. (13 cm).
- Weight: 0,61 lbs. (276 grs).
- Units per box: 75.

**Models:**

- Ref. 008001:** Full circle with deflector.
- Ref. 008002:** Full circle.
- Ref. 008004:** Part (or full) circle with deflector.
- Ref. 008005:** Part (or full) circle.

**Technical specifications:**

- Range distance: 29-46 ft. (9-14 m).
- Flow: 1,9-5,2 GPM (460 -1,180 l/h).
- Working pressure: 22-58 PSI (1,5 - 4 BAR).
- Area: Full or part circle.
- Nozzles: A multi-jet nozzle.
- Trajectory angles: 24°.
- Maximum stream height: 9 ft. (2,6 m).
- Rotation time: Adjustable. Depending on the pressure and the nozzles, the rotation will be constant and continuous.



### VYR-80 AG

**General properties:**

- Riser-mounted impact sprinkler for gardening, agriculture, flower growing and greenhouses.
- 1/2" male connection.
- Made of brass and stainless steel.
- High-resistance rotating joints.
- Arm with anti-splash design.
- Adjustable deflector plate.
- Irrigation area system controlled by rotating clips.
- Adjustable jet breaker diffuser pin.
- This sprinkler is strong and durable enough to work for many years in urban gardens in tough conditions, caused by vandalism and impact from maintenance equipment.

PSI	3/32" 2,4 mm.		7/64" 2,8 mm.		0,117" 3,0 mm.		1/8" 3,2 mm.		9/64" 3,5 mm.		5/32" 4 mm.		11/64" 4,4 mm.	
	GPM.	Ø Ft.	GPM.	Ø Ft.	GPM.	Ø Ft.	GPM.	Ø Ft.	GPM.	Ø Ft.	GPM.	Ø Ft.	GPM.	Ø Ft.
15	1,05	59	1,37	62	1,58	62	1,77	66	2,12	66	2,73	69	3,35	72
22	1,32	62	1,63	62	1,93	66	2,12	69	2,50	69	3,30	72	4,00	75
29	1,50	66	1,85	66	2,20	69	2,42	69	2,90	72	3,73	75	4,53	79
36	1,67	69	2,07	69	2,47	72	2,63	72	3,22	75	4,18	79	5,07	82
44	1,80	72	2,28	72	2,68	75	2,90	75	3,52	75	4,58	79	5,58	82
51	1,98	75	2,47	75	2,87	75	3,12	75	3,78	79	4,83	82	5,93	85
58	2,12	79	2,63	79	3,03	79	3,35	79	4,00	82	5,20	85	6,33	89

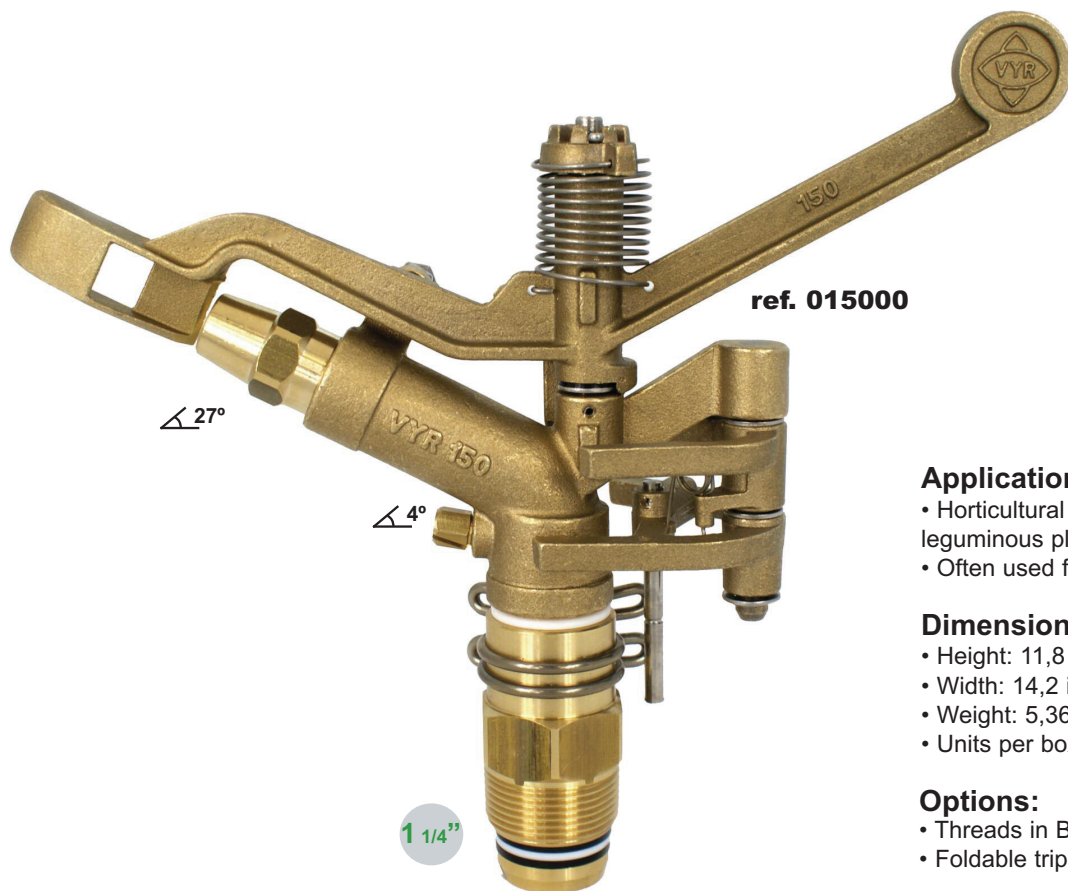
**STANDARD**

Ø ft. : Diameter of coverage

- Sprinklers will be supplied with standard nozzles unless otherwise specified.
- In order to calculate the flow, add the flows of the two nozzles. The range of the rear nozzle must be less than that of the main nozzle.

Only for full circle series.





### VYR-150

#### Applications:

- Horticultural plantations, cereals, tubers, leguminous plants and fruit trees.
- Often used for Pivot points.

#### Dimensions:

- Height: 11,8 in. (30 cm).
- Width: 14,2 in. (36 cm).
- Weight: 5,36 lbs. (2,430 grs).
- Units per box: 5.

#### Options:

- Threads in BSP or NPT under demand.
- Foldable tripod for mobile installation.

#### Models:

Ref. 015000: Standard male.

#### General properties:

- Part circle agricultural impact sprinkler, high flow.
- 1 1/4" male connection.
- Made of brass and stainless steel.
- High-resistance rotating joints.
- Nozzle angles of 27° and 4°.
- Part circle mechanical system using clips that are very easy and quick to adjust.
- Used in full coverage irrigation with high flow to cover the side, corner and pivot point areas.
- Special mechanical and hydraulic design for energy saving and an optimal coverage coefficient.
- Adjustable spring tension.

#### Technical specifications:

- Reach: 82-122 ft. (25-37 m).
- Flow: 27-123 GPM (6,200 - 28,000 l/h).
- Working pressure: 58-102 PSI (4 - 7 BAR).
- Area: Part or full circle.
- Nozzles: One main long reach nozzle and a secondary short reach nozzle.
- Trajectory angles: 27° and 4°.
- Maximum stream height: 18 ft. (5,5 m).
- Rotation time: Depending on the pressure and the nozzles, the rotation will be constant and continuous.

#### Long range nozzles (long vane) + short range nozzle

	11/32" x 1/8" 9 x 3,2 mm.		13/32" x 1/8" 10 x 3,2 mm.		7/16" x 1/8" 11 x 3,2 mm.		1/2" x 2/8" 13 x 6,3 mm.		9/16" x 2/8" 14,5 x 6,3 mm.		5/8" x 2/8" 16 x 6,3 mm.	
PSI	GPM	Ø Ft.	GPM	Ø Ft.	GPM	Ø Ft.	GPM	Ø Ft.	GPM	Ø Ft.	GPM	Ø Ft.
58	27,3	164	33,9	171	41,4	177	62,9	190	71,7	197	88,9	203
73	30,8	171	37,8	177	46,6	184	71,3	203	80,5	210	102,1	217
87	34,3	177	41,8	184	51,5	190	80,1	223	88,0	226	113,5	236
102	37,4	184	45,3	190	55,4	197	85,8	236	94,6	240	123,2	243

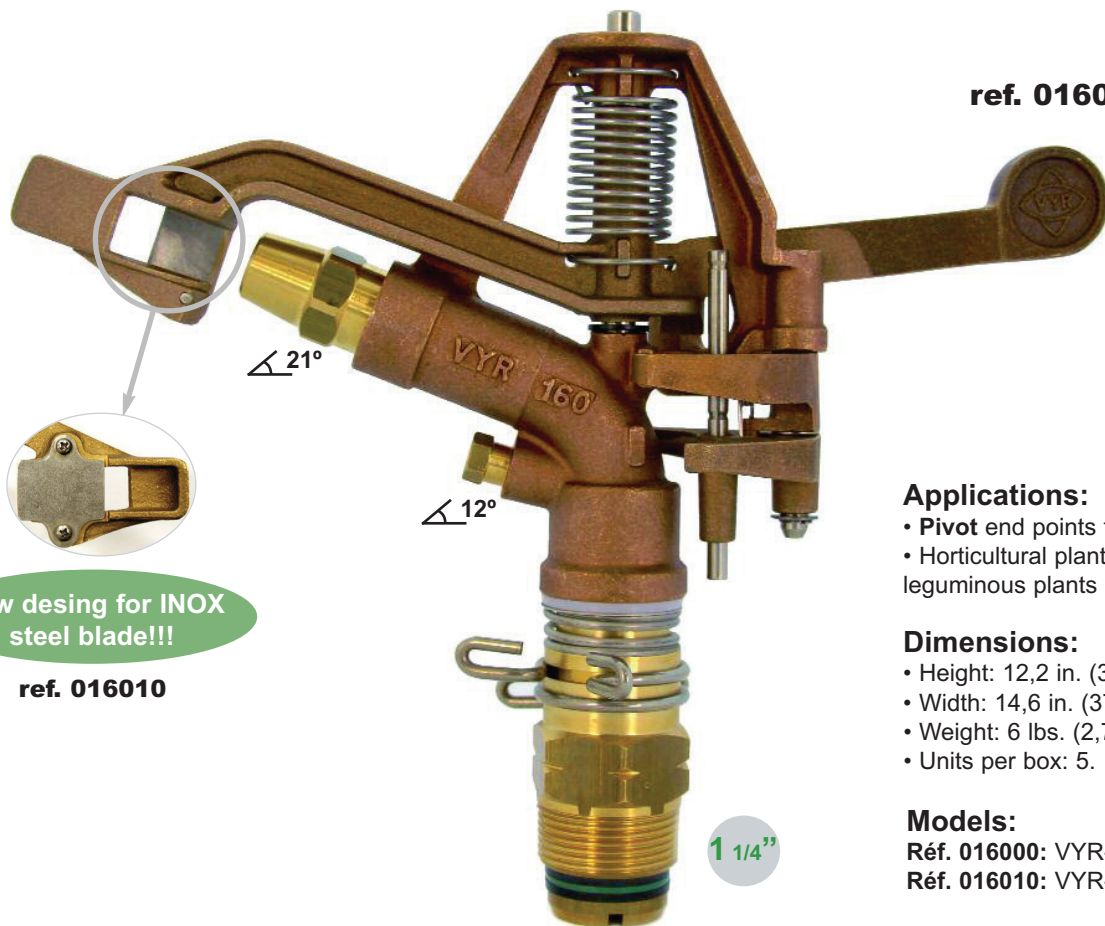
STANDARD

Ø ft. : Diameter of coverage

- Sprinklers will be supplied with standard nozzles unless otherwise specified.

- In order to calculate the flow, add the flows of the two nozzles. The range of the rear nozzle must be less than that of the main nozzle.





ref. 016000

### Applications:

- Pivot end points for the longest reach
- Horticultural plantations, cereals, tu leguminous plants and fruit trees.

### Dimensions:

- Height: 12,2 in. (31 cm).
- Width: 14,6 in. (37 cm).
- Weight: 6 lbs. (2,721 grs).
- Units per box: 5.

### Models:

- Réf. 016000: VYR-160 with standard spoon.
- Réf. 016010: VYR-160 with INOX spoon.

## VYR-160

### General properties:

- Part circle agricultural impact sprinkler, high flow.
- 1 1/4" male connection.
- Made of brass and stainless steel.
- High-resistance rotating joints.
- Nozzle angles of 21° and 12°.
- Part circle mechanical system using clips that are very easy and quick to adjust.
- Used in full coverage irrigation with high flow to cover the side, corner and pivot point areas
- Special mechanical and hydraulic design for energy saving and an optimal coverage coefficient.

### Technical specifications:

- Reach: 78-118 ft. (24-36 m).
- Flow: 27-123 GPM (6,200 - 28,000 l/h).
- Working pressure: 58-102 PSI (4 - 7 BAR).
- Area: Part or full circle.
- Nozzles: One main long reach nozzle and a secondary short reach nozzle.
- Trajectory angles: 21° and 12°.
- Maximum stream height: 16 ft. (5 m).
- Rotation time: Depending on the pressure and the nozzles, the rotation will be constant and continuous.

### Long range nozzles (long vane) + short range nozzle

PSI	11/32" x 1/8" 9 x 3,2 mm.		13/32" x 1/8" 10 x 3,2 mm.		7/16" x 1/8" 11 x 3,2 mm.		1/2" x 2/8" 13 x 6,3 mm.		9/16" x 2/8" 14,5 x 6,3 mm.		5/8" x 2/8" 16 x 6,3 mm.	
	GPM	Ø Ft.	GPM	Ø Ft.	GPM	Ø Ft.	GPM	Ø Ft.	GPM	Ø Ft.	GPM	Ø Ft.
58	27,28	171	33,88	178	41,37	184	62,92	197	71,72	204	88,88	210
73	30,80	178	37,83	185	46,63	191	71,28	210	80,52	217	102,08	224
87	34,32	185	41,80	191	51,48	197	80,08	230	88,00	233	113,52	243
102	37,40	191	45,32	197	55,43	204	85,80	243	94,60	247	123,20	250



**STANDARD** Ø ft.: Diameter of coberage

- Sprinklers will be supplied with standard nozzles unless otherwise specified.

- In order to calculate the flow, add the flows of the two nozzles. The range of the rear nozzle must be less than that of the main nozzle.





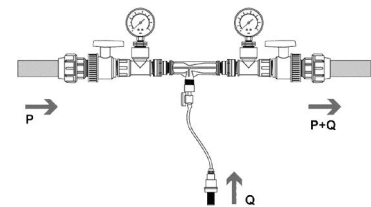
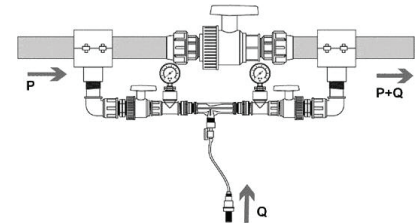


### VYR-49

- Venturi injector with metering control valve and suction filter mesh.
- Optional flow-meter needle for dosing measuring .
- Built-in non-return valve.

### Models:

- Ref. 104900:** 3/4"
- Ref. 104901:** 3/4" with flow meter.
- Ref. 104902:** 1"
- Ref. 104903:** 1" with flow meter.
- Ref. 104904:** 1 1/2"
- Ref. 104905:** 2" LF (low flow).
- Ref. 104906:** 2"



PRESIÓN		3/4" Venturi		1" Venturi		1 1/2 Venturi		2" LF Venturi		2" Venturi							
Presión entrada BAR	Presión salida BAR	Caudal inyección L/H	Caudal aspiración L/H	Caudal inyección L/H	Caudal aspiración L/H	Caudal inyección L/H	Caudal aspiración L/H	Caudal inyección L/H	Caudal aspiración L/H	Caudal inyección L/H	Caudal aspiración L/H						
1	0	828	162	3.540	460	5.700	1.020	5.820	1.020	14.400	2.320						
	0,25		144		460		680		1.020		2.320						
	0,5		78		315		680		910		1.950						
1,5	0	1.056	160	4.020	460	6.660	1.020	6.750	1.100	16.800	2.320						
	0,5		138		460		1.020		1.100		2.320						
	0,75		72		408		800		960		1.780						
	1		42		355		408		660		1.020						
2	0	1.212	157	4.500	450	7.440	1.020	7.540	1.100	18.900	2.320						
	0,5		151		450		1.020		1.060		2.320						
	0,75		145		450		1.020		1.020		2.320						
	1		112		450		970		970		2.320						
	1,25		52		340		630		700		1.780						
	1,5		24		64		-		400		980						
2,5	0	1.350	160	4.920	450	8.160	1.020	8.280	1.100	20.100	2.300						
	0,5		157		450		1.020		1.100		2.320						
	0,75		156		450		970		1.020		2.320						
	1		150		408		970		1.020		2.320						
	1,25		132		408		970		980		2.320						
	1,5		88		408		740		720		1.720						
	1,75		45		280		315		520		920						
	2		-		135		-		200		450						
	3		0		1.482		159		5.280		440	8.880	1.020	8.990	1.060	22.500	2.320
			1				156				440		1.020		1.060		2.320
1,25		154	395	970		1.060	2.320										
1,5		144	395	970		1.060	2.320										
1,75		99	395	950		920	1.870										
2		55	395	510		620	1.250										
2,25		-	204	160		200	780										
2,5		-	110	-		-	-										
3,5		0	1.548	157		5.700	440	9.540		1.020	9.700		1.060		24.300		2.320
		1		156			440			1.020			1.060				2.320
	1,5	154		440	970		960		2.320								
	1,75	152		440	970		960		2.320								
	2	114		440	970		780		2.320								
	2,25	79		360	710		620		1.620								
	2,5	45		360	310		320		1.050								
	2,75	-		235	105		-		450								
	4	0		1.644	157		6.000		440	10.080		1.020	10.220	1.060		25.800	2.320
		1			156				440			1.020		1.060			2.320
2		153	440		1.020	1.060		2.320									
2,25		140	440		970	980		2.180									
2,5		91	440		850	820		2.080									
2,75		55	425		550	540		1.320									
3		-	315		210	220		580									
3,25		-	155		-	-		-									
4,5		0	1.750		158	6.360		425	10.680		1.020	10.850		1.060	26.400		2.320
		1			157			425			1.020			1.060			2.320
	2	157		425	1.020		1.060	2.320									
	2,5	154		425	1.020		1.060	2.180									
	2,75	114		425	970		980	1.780									
	3	84		425	680		620	680									
	3,25	72		420	340		350	420									
	3,5	44		290	-		210	-									
	3,75	12		145	-		-	-									
	5	0		1.840	157		6.600	425		11.160	1.020		11.310	1.060		28.500	2.320
1		156	425		1.020	1.060		2.320									
2		156	425		1.020	1.060		2.320									
3		150	425		970	980		2.320									
3,25		120	425		760	420		1.480									
3,5		90	425		490	480		880									
3,75		66	330		190	180		450									
4		31	235		-	-		-									
4,25		-	110		-	-		-									
5,5		0	1.935		157	6.900		425	11.700		1.020	11.850		1.060	30.000		2.320
	1	156		425	1.020		1.060	2.320									
	2	156		425	1.020		1.060	2.320									
	3	156		425	1.020		1.060	2.280									
	3,25	150		425	970		980	2.120									
	3,5	132		425	970		950	1.120									
	3,75	102		420	650		650	1.020									
	4	72		420	340		320	950									
	4,25	46		320	-		-	240									
	4,5	12		170	-		-	-									
4,75	-	90	-	-	-												